



Operating & Installation Manual

Stratford Tf & Ti Multifuel Boiler Stoves



Stratford Tf 70 Boiler Stove
(With optional stand)

PLEASE RETAIN THESE INSTRUCTIONS FOR FUTURE REFERENCE

Arada Ltd
The Fireworks
Bridport
Dorset, DT6 3BE
Great Britain

Tel. (44) 01308 427234
Fax. (44) 01308 427441
www.aarrowfires.com

Rev 6
Nov 2006
Part No:AFS1121

Congratulations on your choice of an Aarrow Stove.

More than 20 years experience has been put into the development of our Stratford Family to ensure ultimate performance and years of trouble free enjoyment.

Every detail on the fire has been carefully engineered and designed which is why we are so confident in the reliability of our product.

*Should you have any questions about our Stratford Stoves that are not covered in this manual, please contact the Aarrow dealer in your area, or call our Technical support department on
01308 427234*

© COPYRIGHT 2003

Arada Ltd

This booklet has copyright & may not be copied in whole or part used for any purpose other than that for which it is supplied without express written consent from Arada Ltd.

CONTENTS

	Page		Page
INTRODUCTION		INSTALLATION	
Safety Notices	5	General Precautions	15
The Principle of the Fire	5	Combustible Materials	15
Check List	6	Multifuel Grate & Grate Bars	16
Technical Data	7	Throat Plate Inspection	16
OPERATING INSTRUCTIONS		Flue Outlet and Hotplate	17
Multifuel Grate	8	Flues and Chimneys	17-18
Airwash Inlet Controls	8	Integral Boilers	19
Interlock System	9	Checking the Thermostat & Presetting to the Correct Damper Pressures	19
Multi Purpose Operating Tool	9	Additional Information for Inset Stoves	20
Riddling	9	Typical Installation for Boiler Models	21-24
Door Trim and Fire Door Glass	9-10	Boiler Tapping Positions	25-27
Door Adjustments	10	Water Connections	28
Fuel Retainer Bars	10	Hot Water Systems Check List	29
Fuel Types	11	Final Installation Check List	30
Lighting The Fire	11	PARTS LIST	31-33
Solid Fuel Burning	12	GUARANTEE	34
Overnight Burning	12-13	CUSTOMER REGISTRATION	34
Over Firing	13	SERVICE RECORD	35
Cleaning	13	FINAL FACTORY CHECK LIST	36
Accessories	13		
Maintenance	14		

WARNING

TO ALL MULTIFUEL USERS

PETROLEUM COKE

SOME OF WHOSE BRAND NAMES ARE

"CALCO", "PETROCOKE" OR "WONDERCO"

MUST NOT BE BURNED IN THIS APPLIANCE

TO USE THESE FUELS WILL INVALIDATE THE
APPLIANCE GUARANTEE

**IF IN DOUBT CONTACT THE SOLID FUEL ASSOCIATION
TELEPHONE NUMBER 0800 600 000**

www.solidfuel.co.uk

**THE USE OF SPARE PARTS OTHER THAN THOSE SUPPLIED
BY ARADA LTD WILL INVALIDATE THE
APPLIANCE GUARANTEE.**

SAFETY

A fireguard conforming to BS 8423: 2002 should be used in the presence of children and old/or infirm people. If the appliance is used with the fire door open, a spark guard conforming to BS 3248 should be fitted.

Do not use aerosol sprays or any other flame near the appliance under fire.

Do not fit an extractor fan in the same room as the appliance.

Fire cement is caustic, hand and eye protection should always be worn, prolonged contact with the skin should be avoided.

Arada Ltd will not be responsible for any consequential or incidental loss or injury however caused.

Before continuing any further with the installation of this appliance please read the following guide to manual handling.

- Always obtain assistance when lifting the appliance.
- When lifting always keep your back straight. Bend your legs not your back.
- Avoid twisting at the waist. It is better to reposition your feet.
- Avoid upper body/top heavy bending. Do not lean forwards or sideways when handling the fire.
- Always grip with the palms of your hands. Do not use fingertips for support.
- Always keep the stove as close to the body as possible. This will minimise the cantilever action.
- Use gloves to provide additional grip.

THE PRINCIPLE OF THE FIRE

Your Stratford stove is built to the highest standard of craftsmanship using the best materials and the most modern equipment available. It is a highly efficient and sophisticated piece of machinery and when properly installed and operated it should provide a lifetime of heating satisfaction.

Safety is the most important consideration when installing your fire. If not properly installed and operated a house fire may result. Installation must comply with the Building Regulations and conform to all relevant fire safety standards.

Arada produce a variety of appliances ranging from units, which are traditional in style to stoves which are modern in appearance, all bristling with "High Tech" features.

Model types include simple room heaters, convectors, integral boiler models and inset units. Your Stratford stove is constructed from either single or twin wall steel strengthened where necessary. Cast iron is used where appropriate for decorative features.

All fire doors are fitted with special high temperature ceramic glass panels through which the fire can be viewed.

Multifuel stoves are fitted with a cast iron grate to give full multifuel facility and positive de-ashing.

All models except integral boiler models are lined with firebricks or heat reflective panels which ensure complete combustion and provide a good heat store to even out fluctuations in burning.

An internal throat plate produces turbulence to encourage secondary combustion and directs the flue gas around the whole upper firebox before allowing it to escape up the chimney.










On multifuel appliances the primary air for burning enters the ash pit chamber beneath the grate, controlled by the air inlet mechanism.

Stratford stoves are also fitted with an "air wash" so called because it provides a curtain of high speed preheated air behind the glass to help keep it clean and to provide secondary air/over draught.

The provision of two inlets on all multifuel stoves gives a wide range of primary air/secondary air, under draught/over draught combinations. The optimum settings will only be established by experience in firing the appliance, and will depend on type of fuel, the position of the appliance in the house, condition of chimney etc.

CHECK LIST

Inside the appliance you should find the following:

Part Description & Visual Aid (not to scale)	Stratford Tf 30b	Stratford Tf 50b	Stratford Tf 70b	Stratford Tf 90b	Stratford Ti 40b
1. Fuel retainers 	2	2	2	2	2
2. Grate bars 	5	7	9	9	7
3. Throat plate 	1	1	1	1	1
4. Flue spigot 	1(5'')	1(5'')	1(6'')	1(6'')	N/A
5. Hot plate 	1(5'')	1(5'')	1(6'')	1(6'')	N/A
6. Ash pan 	1	1	1	1	1
7. Operating tool 	1	1	1	1	1
8. Fire bed supports 	6	6	9	9	3
9. Fire door handle 	1	1	1	1	1
10. Instructions	1	1	1	1	1

TECHNICAL DATA

TECHNICAL DATA	Stratford Tf 30b	Stratford Tf 50b	Stratford Tf 70b	Stratford Tf 90b	Stratford Ti 40b
Max output to room (kW)	2	2.5	3.5	4.5	2
BTU's	6,840	8,550	11,970	15,390	6,840
Max output to water (kW)	7.5	13	17.5	24	12.5
BTU's	25,000	45,000	60,000	82,000	43,000
Number of radiators in average installation	3 to 5	8 to 10	12 to 14	17 to 19	8 to 10
Height (mm)	596	645	709	709	595
Width (mm)	562	670	780	780	572
Depth (mm)	389	389	486	546	Depth to wall 180mm Total 543mm
Height to centre of rear flue	447	503	555	555	N/A
Depth from back to centre of flue	138	138	172	172	106mm
Flue diameter	127 (5")	127 (5")	152 (6")	152 (6")	127 (5")
Weight packed (Kg)	106	127	176	188	105

*1kW = 3420 BTU's

** 25.4mm = 1 inch.

OPERATING INSTRUCTIONS

MULTIFUEL GRATE

The Arrow Multifuel grate comprises of a series of reciprocating cast iron bars seated on a pivoted "comb". These should come fitted in your stove, if not please refer to page 16 for fitting and operation and also operating instructions on fuels for correct settings of the grate.

AIR INLET CONTROLS

Stratford multifuel stoves have three air inlets:

- The air wash system (so called because its pre-heated high speed air washes across the inner face of the door glass, keeping it clear), which provides over draught, and
- The primary air inlet providing under draught to the base of the fire chamber through the gap between the body and the ash pit door.
- Most importantly on the Stratford Boiler stoves is the thermostatic control system.

Please note partial opening of the ash door will over-ride and negate the thermostatic control.

THERMOSTATIC CONTROL

Stratford Tf Integral Boilers have a thermostatically controlled side air inlet, beneath an access plate.

The damper plate at the rear/side of the appliance regulates the amount of under draught entering, depending on the setting of the thermostat control knob (located at the bottom front on the left hand side of the unit) and the temperature of the water transmitted through the sensor phial in the water jacket.

Stratford Tf and Ti with the ash door fully shut, the settings range from 0 (fully anti-clockwise) a shut-off setting at which the damper will shut off the underdraught completely, causing the fire to die down and in time go out, to 8 (fully clockwise) the highest setting at which the appliance will burn fiercely and produce very high outputs.

For more information on the Ti inset model please see page 20.

Note: The area around the thermostat, both inside at the back of the firebox and externally, must be cleared of ash and other debris regularly. (See page 13). For setting instructions refer to "Checking Thermostat" on page 19 .

AARROW AIR WASH SYSTEM

The air wash has an internal sliding plate with slots, housed in a cover plate, and is located above the fire door. Sliding the control shaft to the right as far as it will go achieves the fully open position. Sliding it to the left will shut off the air inlet slots. The operating tool should be used to tap the control shaft to the desired setting.

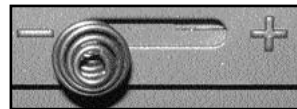


Fig. 1 Fully Closed



Fig. 2 Fully Open

Note: Opening or part opening of the ash door is controlled by the "interlock" device located in the front of the unit (refer to INTERLOCK section on page 9). Even when all the slots are completely shut a "bleed" of secondary air will be maintained ensuring that inflammable gases are burnt off.

DISASSEMBLE AIR WASH

The Stratford air wash may be disassembled for cleaning or adjustment. To achieve this, the following procedure should be followed:

This should only be carried out when the fire is cold and unlit.

- Support Air wash cover with one hand
- Move cover up by smartly tapping the bottom with a hammer. (Fig. 3)
- Remove assembly from appliance.
- Clean and/or adjust.
- Refit using reverse procedure.



Fig. 3

INTERLOCK SYSTEM

Stratford Tf and Ti Multifuel Boiler Stoves are fitted with an "interlock" system. A situation where the fire door is closed and the ash door is open may lead to serious overfiring which could damage the appliance. Correct use of the doors and interlock system will ensure that this does not happen.

Operation is as follows:

A pivoted lug prevents closure of the fire door, unless the ash door has been shut first. When the fire door is shut the ash door knob can be turned anti-clockwise by up to 95 degrees creating a variable gap between the top of the ash door and the body, through which primary combustion air can enter the appliance.

Note: In order to turn the ash door knob sufficiently for the catch to release and permit the ash door to be opened fully **THE FIRE DOOR MUST BE OPENED FIRST.**

MULTI PURPOSE OPERATING TOOL

Your Stratford stove comes with a multi-purpose operating tool which is used to open the ashpit door, riddling, setting the multifuel grate position and for emptying the ash pan. (see fig.4)



Fig. 4

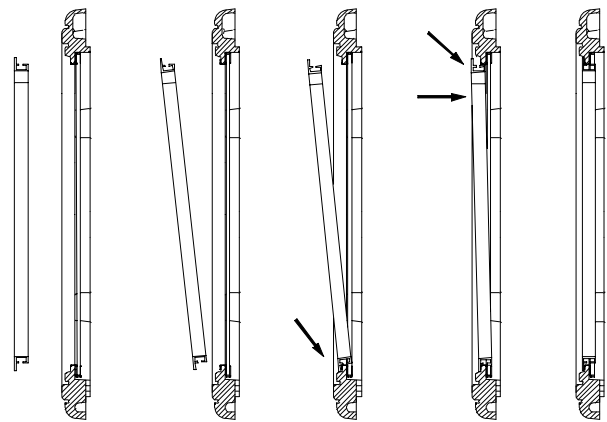
RIDDLING

Use the operating tool for setting the grate in the coal burning position or the wood burning position. This means that effective de-ashing takes place, and also allows the grate to be set in the coal burning or wood burning position, as indicated on the right hand side of the appliance.

DOOR TRIM

Stratford fire doors are fitted with a brushed steel finish trim as standard. This clips on to the small lugs at the top and bottom of the aperture in the cast iron fire door, as a "spring fit". When fitted, the trim locks the glass retaining clips in position. (Fig 5)

The fire door should be removed so that the above operations can be carried out on a workbench or similar. Remove the door by GENTLY tapping the door upwards; this will lift off of its hinges.



Trim Fit Fig 5

FIRE DOOR GLASS

If necessary the glass can be removed as follows

Step 1 Remove the brushed steel finish trim by pressing on the curved edge at the top until the trim can be disengaged from the lugs.

Step 2 Slide the two glass retainer clips on one side only, inwards, towards the centre of the door as far as they will go.

Step 3 Pull this side of the glass away from the door casting, easing the tags on the glass retaining clips past the edge of the aperture in the door casting.

OPERATING INSTRUCTIONS

Step 4 Remove the glass completely. Store glass-retaining clips and white gasket (if sound) safely for re-use.

Step 5 Follow this procedure in reverse to fit replacement door glass or gasket.

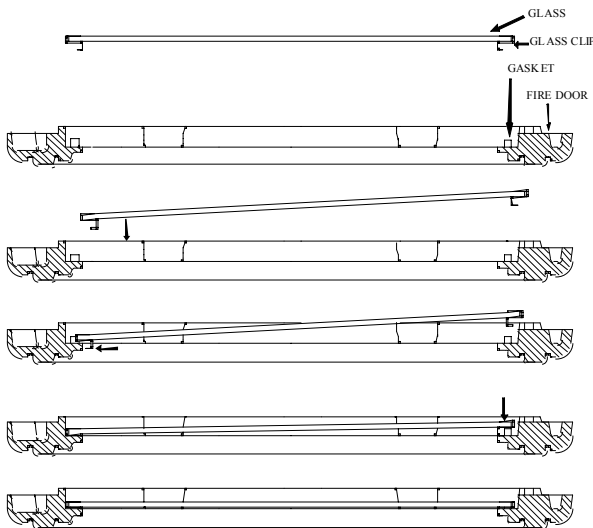


Fig. 6

DOOR ADJUSTMENT

The catch can be adjusted by sharply tapping the catch on the inside of the door.

Once the appliance has been under fire for a period of time the fire door may appear to have moved out of alignment with relation to the door aperture or catch on the door interlock mechanism. This is quite normal and due to the settling of the casing.

The fire door can be re-aligned by the user as follows:

- When the appliance is cold, open the fire door so that it is at a right angle to the front face of the fire.
- Lift the fire door up off the hinges.

- Gently tap the two hinge pins in a direction to compensate for the misalignment.(fig 7)



Fig. 7

- Refit the door and check to ensure it now sits square to the body; if not repeat above steps.

Raising the door as follows:

- When the appliance is cold, open the fire door so that it is at a right angle to the front.
- Lift the fire door up off the hinges.
- Drop one washer on the top and bottom hinge pin.
- Refit the door and check to ensure door is free of the interlock. If not remove and repeat fitting second washer.

FUEL RETAINER BARS

Fuel retainer bars are supplied with the fires.

For wood burning, 1 fuel retainer bar is used, affording a better view of the fire. Slide and lift the bar until it is clear of the guides at each side, and remove through the fire door opening.

The bars are symmetrical and of even lengths making incorrect fitting impossible.

Note: This operation should only be carried out when the appliance is unlit and cold.

FUEL TYPES

Wood- Any type of wood is suitable provided it is well seasoned and has a moisture content below 20%. This usually implies that the timber has been suitably stored to allow moisture to evaporate for at least nine months in the case of soft woods, and at least eighteen months in the case of hard wood. We recommend that for general burning, wood should be split into logs of no more than 130mm (5") diameter.

Larger logs can be used for overnight burning.

WARNING wet wood must not be used as this will greatly contribute to the creation of tar and creosote which may, in extreme cases, run down the chimney in liquid form. This will seriously damage both the chimney and the appliance, and increase the risk of chimney fire.

Note: If you have sticky tar inside the appliance or chimney your wood is 'Green' or too wet.

Recommended Reading:

"Wood as Fuel" available from the Forestry Commission.

Peat- Can be used in turf or briquette form, but again the moisture content must be low.

Paper- paper will burn successfully. Burn dry paper only or chimney damage will occur.

NEVER BURN PLASTICS OR WASTE IN YOUR STOVE.

Coal - Household coal produces a large amount of ash and smoke. If used the appliance and chimney will require frequent cleaning. Therefore soft house coal is **not** recommended.

Recommended fuels are as follows:

The Hetas Ltd, "Three Tick" appliance approval only covers the use of the following fuels in this appliance; Phurnacite, Phurnacite Plus, Centurion, Maxibrite, Extracite, Pureheat, Blazeprite, Taybrite, Sunbrite (Doubles/Singles), Anthracite (Large Nuts), and Welsh Dry Steam Coal (Large/Small Nuts).

Approval does not cover the use of other fuels either alone or mixed with the suitable fuels listed above, nor does it cover instructions for the use of other fuels. For latest details please refer to Hetas website www.hetas.co.uk.

Do not use Homefire (six sided) and smaller sizes than Stovesse, e.g. Beans, Peas, Grains.

Do not use petroleum based solid products such as Calco or Petrocoke.

To do so will invalidate the appliance guarantee

LIGHTING THE FIRE

Prior to lighting the fire for the first time check with the installer that:

- Installation and all building work is complete.
- The chimney is sound and has been swept and is free from obstruction.
- Adequate provision for combustion air has been made, i.e. a permanent vent of at least 550mm² per kW of rated output above 5 kW, is fitted in the room in which the appliance is installed.
- That Building Regulations and any local by-laws have been followed during installation (see installation instructions).
- Throat plate is in place.
- Ensure that the system is full of water and vented, and precautions have been taken to prevent corrosion (see installation Instructions).
- That the chimney draw has been checked and is within specification. With the chimney warm the draught should be between 1 - 2mm water gauge (0.1 - 0.2mbar).

WARNING: An over drawing chimney can cause over-firing resulting in damage to the appliance.

WARNING: Do not light the fire if it is suspected that any part of the water system is frozen.

OPERATING INSTRUCTIONS

ENSURE THAT YOU HAVE READ & UNDERSTOOD THESE INSTRUCTIONS BEFORE LIGHTING THE FIRE.

ALWAYS WEAR SUITABLE PROTECTIVE FIRE GLOVES WHEN REFUELLING YOUR STOVE.

SOLID FUEL BURNING

- Set the grate to 'coal' position.
- Ensure that the ash pan is in position and the fire doors are closed.
- Set the air wash to one quarter open position.
- Set the thermostat control knob to position 8
- Light in the normal manner with paper and kindling, or use a fire lighter.
- If using a gas poker be sure to remove it immediately the fire is alight.
- When the fire is well alight regulate the burning rate by adjusting the setting on the thermostat control knob
- The air wash can be opened sufficiently to keep the door glass clean

BURNING WOOD

- Set air wash to fully open position.
- Proceed as for solid fuel but note the fire will burn up and become established more quickly.

MIXED FUELS

- As per coal but allow additional secondary air.

ANTHRACITE

Anthracite is more difficult to keep in for long periods, consequently more care in setting the controls and some familiarisation is necessary when burning anthracite.

Use the smallest size fuel (Stovesse or Small Nuts). Proceed as for manufactured smokeless fuel. Leave the air inlet control open about a quarter or less.

Note: The high temperature paint acquires durability by being "cured" during the initial firings of the appliance will give off fumes which are non-toxic, but which certain persons may find have an unpleasant or irritant effect. Ensure that the area is well ventilated during this time.

OVERNIGHT BURNING

The appliance will burn overnight provided:

- Sufficient fuel is placed in the firebox.
- The controls are set correctly.
- Excess draught is not present in the chimney.
- Close the door.
- If the fire goes out with unburnt fuel left in the firebox increase the thermostat setting, and vice versa.

In the morning

Open the air control fully until embers begin to glow brightly and place pieces of fuel on the fire until it is well established.

WARNING: When wood is burnt slowly in a closed appliance it produces moisture and tar, which will create condensation and deposits in the chimney. This effect can be minimised by burning hard for a short period, about 20 minutes, twice a day. It is usually convenient to do this morning and night.

Note: To avoid chimney problems your fire should not be burnt slowly for longer than 12 hours without a period of fast burning.

WARNING: Properly installed, with a suitable flue and chimney and operated and maintained this appliance will not emit fumes into the dwelling. Occasional fumes from the de-ashing and re-fuelling may occur. However, persistent fume emission is potentially dangerous and must be investigated by a Hetas registered installer.

Stop using the appliance if you smell fumes or see smoke escaping.

If fume emission does persist, the following immediate actions should be taken.

- Open doors and windows to ventilate room.
- Let the fire die or extinguish and safely dispose of fuel from the appliance.
- Check for flue or chimney blockage, and clean if required.

Seek expert advice from your HETAS registered installer. Do not attempt to re-light the fire until the cause of the fume emission has been identified and corrected.

OPERATING INSTRUCTIONS

ASH REMOVAL

The ash pan should be emptied at least twice a day or when the level of ash reaches the top of the ash pan. On no account should the ash be allowed to build up to touch the grate as this will greatly shorten its life.

DE - ASHING

It is necessary to maintain an ash layer on the upper surface of the grate bars, in order to protect them so de-ashing should cease as soon as the first red embers drop into the ash pan. Further de-ashing will cause heat build-up under the grate, which will considerably shorten its life. This operation should be carried out with the doors closed to prevent dust escaping into the room.

- Move up and down vigorously the riddling lever (ash will fall into the ash pan beneath the grate).
- When de-ashing is complete re-set grate to previous position.
- Empty ash pan.

Note: *Do not force the riddling lever.*

TO EMPTY THE ASH PAN

Open the fire door; open the ash door. Fit the fork end of the operating tool into the ash pan and remove from the ash pit chamber.

WARNING: The ash can be very hot. Empty only to a metal container. Even if the ash appears cold, red-hot pieces of ash may be concealed and could easily start a fire or cause an injury. Replace the ash pan and close ash door. Close the fire down.

CLINKER

The formation of clinker suggests that the unit is being over-fired. Any clinker forming on the grate should be removed when cold.

OVER-FIRING

Do not over fire your appliance. Using flammable liquids or too much wood or firing the fire at maximum for prolonged periods may result in over-firing. If the chimney connector or casing glows red it is being over-fired. If this occurs immediately close all air inlets to the appliance to reduce the air supply to the fire. Should a chimney fire occur immediately close the appliance down. Get everyone out of the house and call the fire

brigade. A chimney fire may cause structural damage of the chimney. Do not use the appliance until the chimney and connector have been inspected and any damaged parts repaired or replaced. This should be done by a competent person such as a HETAS registered engineer.

CLEANING

IMPORTANT

Under some circumstances soot can quickly build up on the throat plate and adjacent areas. The throat plate should be removed and checked monthly, and any debris stripped off. Similarly, clean the upper surface of the firebox.

Refer to page 16 for instructions on throat plate removal/inspection.

IF ASH BUILDS UP AROUND THE THERMOSTAT OPENING.

1. Make sure the fire is unlit and cold.
 2. Remove the access plate. (See page 19)
- Carefully clean the cold ash from the thermostat using a vacuum cleaner. Re-fit the access cover. Also the area to the left hand side of the firebox should be swept clean.

WARNING PERFORM THESE OPERATIONS WHEN THE STOVE IS UNLIT AND COLD.

ACCESSORIES

STANDS

Elegant stands are available for the Stratford free-standing fires. (Stands are not available for the inset models). These increase the height of the appliance and rear flue outlet by approximately:

- Tf 30 by 125mm
- Tf 50 by 130mm
- Tf 70 by 135mm
- Tf 90 by 140mm

TRACERIES

For added decorative effect, beautiful door traceries are available for the complete Stratford fires range.

PAINT

Matching aerosol paint to tone in any connecting flues, pipes or surrounding metalwork.

SERVICING

MAINTENANCE

It is important that your fire is regularly serviced in accordance with these instructions. This should be carried out at least annually by a qualified person and should consist of the following:

When the appliance is cold and unlit ensure to remove the firebrick liners and throat plate. Inspect all gasketing on doors, glass etc., and re-order any items that may need replacing, from your Arrow dealer. With a wire brush clean inside the appliance paying particular attention to the small inlet holes of the air wash on the inside, above the fire door and to the door. With Ti40 models ensure to sweep up around the damper flap regularly to avoid ash build up.

Sweep the chimney and confirm that it is sound. Examine all joints in the flue pipe etc., and re-seal if necessary. Reassemble and leave with the air inlet and air wash control about half way open. This will allow a free flow of air through the appliance thus preventing moisture and condensation from building up inside the fire and chimney.

CHIMNEY SWEEPING

Sweeping should be carried out with an appropriate sized bristle brush and rods to suit chimney size and type. As with all appliances regular sweeping of the flue is essential to avoid the danger of blockage and the escape of poisonous fumes. Access for cleaning should also be incorporated in the chimney (e.g. soot door or access through register plate).

Any existing chimney should be swept prior to installation of the appliance, and swept again a second time **within one month** of regular use after installation to establish frequency of sweeping required. This should be done by a competent person such as a NACS chimney engineers who will provide a Certificate of Chimney Sweeping.

Sweep the whole flue way, including the outlet, at least twice per burning season. It is important that the flue ways, flue pipe and chimney be cleaned prior to lighting the fire after a prolonged shut-down period.

DOOR GLASS

The door glass should remain clear during normal daytime burning. However under certain conditions-such as burning at a low rate with damp wood, or overnight burning, the glass may become somewhat blackened. To remedy this, operate the appliance at a fast rate. Alternatively when the stove is cold open the door and clean the inside face of the glass with a damp cloth or with glass cleaner (available from fire stockists). A piece of cloth moistened with vinegar and dipped in wood ash - **not coal ash** - will provide a good soft scourer to remove the soot without scratching the glass.

OUTER FINISH

The outside finish of the appliance is a durable high temperature paint. It is best cleaned by brushing down with a clean shoe brush. Do not allow moisture to remain on the appliance whilst cold or surface rust may form.

The high temperature paint should not require attention for some time, depending on use. The hotter the fire burns the sooner repainting will be necessary. Aerosol tins of paint are available for complete refurbishing. Before repainting make sure that the fire is out and is cold.

- Remove the door glass.
- Lightly wire brush, or rub with wire wool, the body of the appliance to remove any loose paint powder.
- Mask or remove items such as brass work.
- Any adjacent brickwork, mantelpiece, hearth, etc., should be carefully masked for quite a distance around the appliance. (this precaution is to prevent discolouration of the surrounding brick work, wallpaper etc).

Re-spray in a well-ventilated area - avoid breathing the vapour. Refer to safety instructions on paint cans.

- When the paint is dry refit door glass and any other parts previously removed.
- Leave the appliance for eight hours before re-lighting.
- Burn slowly for the first four hours, then build up heat gradually to cure the paint.

Note: Use only genuine Arrow touch-up spray as some paints interact. This could ruin the finish and invalidate the guarantee.

GENERAL PRECAUTIONS

Note - All installations must conform to the appropriate building regulations.

The Building Regulations for England and Wales 2000 ref Approved Document J 2002 edition (issued by the DTLR).

The Building Standards (Scotland) (Consolidation) Regulations.

Detailed recommendations for installation of appliances, chimneys and flues are outlined in the current issue of the following British Standards:- BS6461, BS8303 and BS4543.

Any Manufacturer's Instructions must not be taken as overriding statutory requirements.

During installation ensure that adequate precautions are taken to avoid unnecessary risk to yourself or any householder. In particular the danger from the caustic nature of the fire cement should be avoided by using these accepted methods:

- Wear gloves when handling fire cement.
- Wear goggles when chiselling or looking up chimneys.

Make sure that Building Regulations are adhered to during installation along with any local by-laws. In the case of heating systems make sure that the pipe work is correctly bonded to ensure electrical earthing.

HANDLING

By the time you read this you will appreciate the weight of the appliance. The Safety and handling guidelines as set out on page 5 of this manual should be followed.

To make movement easier internal fittings, fuel retainers, grates, firebox liners, flue outlets, hot plate, throat plate, etc., can be removed.

Care should be taken to make sure that the hinges are not damaged during installation.

HEARTH

The fire should be installed to stand on a constructional hearth of non-combustible materials not less than 125mm (5") thick conforming to Building Regulations. Dimensions of the hearth should project at least 300mm (12") forward of the front of the appliance and 150mm (6") at the sides. The surface of the hearth should be free of combustible materials. In most buildings with solid concrete floors the requirement will be met by the floor itself, but mark the perimeter of the hearth to ensure floor coverings are kept well away or use different levels to mark the hearth perimeter.

COMBUSTIBLE MATERIALS

A gap of at least 450mm (18") should be allowed between the appliance and any combustible materials including furnishings. Adjacent walls should be of suitable non-combustible construction, preferably brickwork. In large fireplaces take care that any supporting beam is protected by a 13mm (0.5") sheet of Masterboard/Supalux spaced 13mm (0.5") off the surface with strips of non-combustible material - not wood.

Make sure that there is a gap between an uninsulated flue system and any combustible material. This gap must be at least 3 x the outside diameter of the flue pipe, or 1.5 x the flue diameter to non combustible surfaces. See the illustration on page 22.

AIR FOR COMBUSTION

There must always be a permanent means of providing air for combustion into the room in which the fire is installed. A permanent vent with a total free area of at least 550mm² for every kW rated output above 5kw should be connected directly to the outside air or to an adjacent room which itself has a permanent vent of the same size direct to the outside air. The fitting of an extractor fan to either of these rooms is not recommended.

ACCESS TO THERMOSTAT

A gap of 125mm around the body, and 100mm to the rear of the stove is necessary to enable access to service & repair the thermostatic control system.

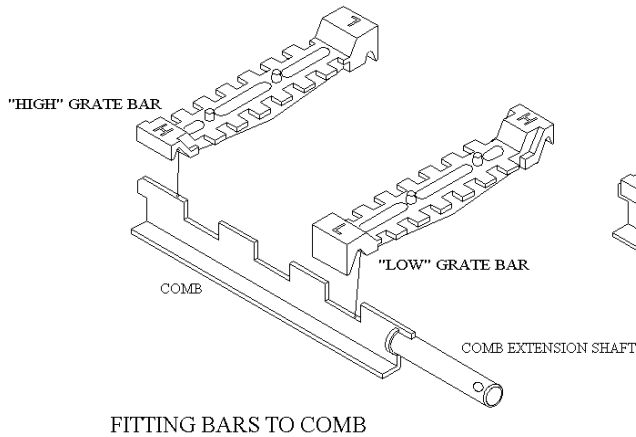
INSTALLATION

MULTIFUEL GRATE

All bars in the grate are identical, but every other bar is turned through 180 degrees, with the ends of the bars marked "H" sitting on the high sections of the comb, and the ends marked "L" sitting on the low sections.

ASSEMBLING THE GRATE

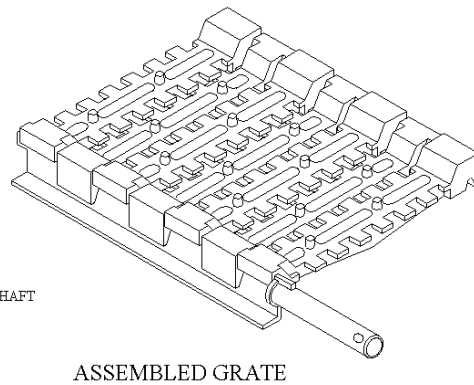
To assemble the grate, fit bars to low sections of the comb first, inserting end marked "H" into rear channel with groove on underside of bar located on upstand tab, and then lowering end marked "L" onto the low section of the comb. The upper bar is fitted in a similar manner, but with the end marked "L" inserted in the rear channel, and the end marked "H" seated on the high section of the comb.



GRATE BAR REPLACEMENT

After extended use it may be necessary to replace some of the grate bars. Periodic inspection of the bars is recommended and the removal of any nails or wire that may be present after burning wood. All the grate bars in each appliance are identical and can easily be lifted out after removal of the fuel retainers.

Remove damaged grate bars and replace with casting of the same type, fitting as per instruction above. (Check Identification letters on the casting when reordering).

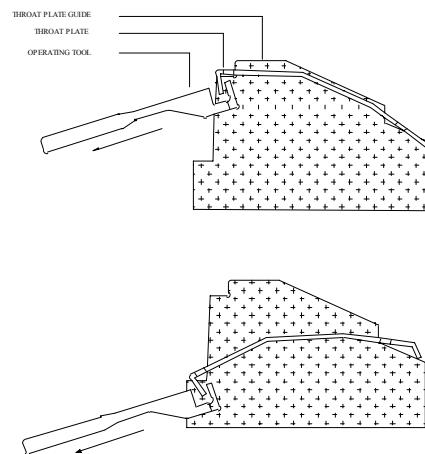


THROAT PLATE INSPECTION

The throat plate for all types of fires consists of a profiled steel plate with "drop down" facility for inspection purposes.

To "drop" the throat plate (Fig.8), engage the operating tool behind the downstand tab marked "throat plate" and pull the plate forward until its forward lugs drop into the cut-away at the front of the side panel. Check the upper surface for soot, ash build-up, etc. Reverse the procedure to return the throat plate to the working position.

Warning: If the fire is operated with the throat plate in the down position the air wash will not operate effectively.



FITTING THE FLUE OUTLET AND HOT PLATE

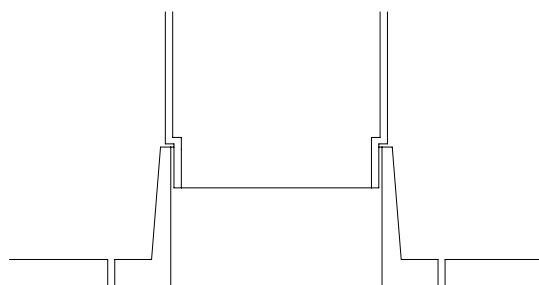
The flue outlet spigot is found inside the appliance. The hot plate (blanking plate) is supplied fitted to the top opening and is removed by turning clockwise (as is the flue outlet).

Smear a very thin layer of fire cement on the faces of the flue outlet and the blanking plate. Fit the outlet to the appliance in the desired position.

Lock into place by rotating anti-clockwise and tighten by tapping with a block of wood and mallet from the inside of the appliance. Similarly, fit the blanking plate to the unused opening. Clean off any surplus fire cement.

Place appliance on the hearth and make sure that it is level and does not rock.

Connect the chimney ensuring all joints are sealed with fire cement.



*NOTE
THE FLUE PIPE MUST BE FITTED INSIDE THE OUTLET SPIGOT
FAILURE TO DO SO COULD RESULT IN THE SPILLAGE OF
CONDENSATION ECT. RUNNING DOWN THE FLUE.

Fig. 13 Flue and Spigot Fitting

FLUES AND CHIMNEYS

Please remember that chimney draught is dependent on four main factors:

- Flue gas temperature.
- Flue height.
- Flue size.
- Flue terminal.

The stove must be connected to a suitable and efficient flue that provides a good updraught to safely take the products of combustion (fumes) from the stove outlet to the outside air. To ensure a good updraught it is important that the flue gases are kept warm and that the flue size suits the stove.

The termination of the outlet at the top of the flue also needs to comply with the Building Regulations. The minimum effective height of the flue must be at least 4.5 metres from the top of the stove to the top of the flue outlet. When warm the flue draught should be between 0.1 and 0.2 mb.

A chimney may comply with the regulations but still be subject to down draught and similar problems. A chimney terminating above the ridge level is generally less likely to suffer such problems.

If a new chimney is being provided it should fully comply with the relevant Building Regulations that specify the requirements for solid fuel burning installations. Suitable types of chimney include the following.

Masonry chimney built with clay or concrete liners, or a chimney block system meeting Building Regulations. These types of chimney should be installed in accordance with the Building Regulations and BS 6461: Part 1.

Factory made insulated chimney complying with BS 4543: Part 2 (often called "Class 1 prefabricated metal chimney"). These types of chimney should be installed in accordance with the Building Regulations and BS 7566: Parts 1 to 4.

INSTALLATION

Due to the gradual introduction of European Chimney Standards chimneys will be specified according to their performance designation as defined in BS EN 1443 that covers the General Requirements for chimneys. The minimum performance designation required for use with solid fuel burning stoves is T450 N2 S D3.

The flue and chimney installation must be carefully checked by a competent person before fitting the stove to ensure it is suitable and will work safely.

If the chimney is old (ie built of brick or stone without a liner) or being opened up for reuse additional checks and smoke testing as described in Appendix E of the Approved Document J 2002 Edition should also be carried out to ensure the flue and chimney are in good operating condition.

Unless the existing flue is in good condition with suitable access for collection and removal of debris. If the flue size is more than 225mm (9 inches) diameter or 200 x 200mm square, a suitable lining of 150mm (6 inches) diameter should be fitted, or if the flue length is over 5.5 metres one size larger than the appliance outlet should be fitted. This should be a double skin stainless steel flexible flue liner that is independently certified for use with solid fuel. Details of suitable linings for use with solid fuel are given in the Official HETAS guide that can be viewed on their website at www.hetas.co.uk

It is also important that suitable flue pipe complying with the Building Regulations is used to connect the stove to the flue in the chimney and that suitable access is provided into the flue for regular inspection and sweeping of the flueways.

The installer should comply with the Building Regulation requirements in respect of providing a Notice Plate giving details on the chimney, flue lining, hearth and fireplace installation. Approved Document J of the Building Regulations for England and Wales is available from The Stationery Bookshops and can also be viewed at the ODPM website at www.safety.odpm.gov.uk/bregs/brads.htm

Details of the relevant Building Regulations and BS British Standards are given in the "General Precautions" section page 15 of these instructions.

Chimneys should be as straight as possible. Horizontal runs should be avoided except where the rear outlet of the appliance is used, in which case the horizontal section should not exceed 150mm (6") in length.

If the fire appears to be working hard but produces very little output to the room it is likely that excessive draw is present in the chimney, and that heat is being sucked out of the appliance and up the chimney. If this is the case we recommend the fitting of a draught stabiliser in preference to a flue damper, in the interest of safety and efficiency.

We do not recommend the use of a damper when burning solid fuel.

FOR ALL APPLIANCES

Access for cleaning the flue should be incorporated in the system other than through the appliance (e.g. a soot door or access through register plate). Purpose-made soot doors and inspection lengths are available from manufacturers of all systems.

Ensure that the whole length of the flue can be reached from the soot door.

Note: if the appliance is fitted with a draught stabiliser or if one is fitted to the flue pipe or chimney in the same room as the appliance, then the permanent air entry opening (or openings) should be increased by 300mm² for each kW of rated output.

For advice on flues and chimneys contact;
NACE (National Association of Chimney Engineer): telephone 0800 0924019
www.nace.org.uk
or
NACS (National Association of Chimney Sweeps): telephone 01785 811732
www.chimneyworks.co.uk

INTEGRAL BOILERS

Integral boilers should be connected, with flow and return connection of any circuit on opposite sides of the appliance, (cross flowed), to an indirect hot water tank/system, adding Fernox or similar corrosion inhibitor to prevent corrosion and the formation of lime scale.

It is also essential that the return water temperature remains in excess of 45 degrees centigrade (Celsius). The gravity return should be fitted with a thermostat, which will activate a cut-out on the radiator circulating pump, should the temperature drop below this level.

Connect pipe work to the boiler unit.

The connected pipes should be screwed to a maximum depth of 15mm from the face of the tapping, (female 1" B.S.R). Steel integral boilers should be connected to an indirect hot water tank system.

Note: the flow and return sections of any circuit must always be opposite of appliance. Remember to incorporate a draining plug/tap at the lowest point to facilitate drainage & flushing.

Warning: if a pipe stat is not fitted then cold water corrosion can occur.

FAILURE TO COMPLY WITH THESE REQUIREMENTS WILL INVALIDATE THE GUARANTEE

CHECKING THE THERMOSTAT AND PRESETTING TO THE CORRECT DAMPER PRESSURES

PLEASE NOTE: THE THERMOSTAT HAS BEEN FITTED AND CORRECTLY SET AT MANUFACTURE. SO THE FOLLOWING PROCEDURES WILL ONLY BE REQUIRED WHEN REPLACING OR RE SETTING THE THERMOSTAT.

To fit/remove thermostat on Tf models

For fitting/removal of thermostat on Ti models please see page 20.

1. Pull thermostat knob off of the shaft.
2. Remove access cover plate, use a No. 2 Pozi screw driver and remove the 2no. CSK M5 screws.
3. Remove the 2no. M5 screws that secure the thermostat housing. The thermostat is now free, and you will be able to remove the spacer bracket.
4. On the rear of the stove, remove the thermostat sensor from its pocket and push this carefully through the hole in the corner cut-out of the stove. Take care not to kink the copper tube.
5. Withdraw the thermostat from the aperture.
6. If you are fitting a new thermostat you will need to remove the knob extension shaft. Use a 7mm spanner. To remove the M4 Grub screw.
7. Re-fit is the reverse of the above process. Please ensure the spacer bracket is secured beneath the thermostat as in point 3.

See below if adjustment is required.

ADJUSTMENT OF THE THERMOSTAT

However, it is advisable to check the cold setting distance prior to lighting a fire in it. With the control set at maximum there should be a gap of 23mm between the fire and the edge of the damper plate furthest from the control shaft. If this is not the case adjust by slackening off the lock nut and turning the adjusting nut on the damper plate. When the cold setting distance has been correctly set re-tighten the lock nut.

INSTALLATION Ti MODELS

ADDITIONAL INFORMATION FOR INSET STOVES (Ti40B)

BUILDERS OPENING / CHIMNEY BREAST

Stratford Ti 40 fires are designed to be fitted into a rectangular recess not less than 400mm (15 3/4") deep, not less than 400mm (15 3/4") wide and not less than 550mm (21 1/2") high, the so-called "standard builder's opening".

The fireplace surround should be vertical, and with a flat surface against which the unit can be sealed. The height and width of the flat surface required will vary according to the model being installed. Where the unit is to be fitted into an existing opening it will normally be necessary to cut a hole through the chimney breast so that a flue connector can be fitted between the appliance and the chimney flue. Avoid damaging the lintel.

For boiler models it may be necessary to cut access holes through the side(s) or the chimney breast, so that flow and return pipes can be connected to the appliance.

FLUE

If using an insulated steel flue ensure that the manufacturer's directions are followed. Take special note that the first 450mm (18") of the flue should be single skin cast iron or heavy-duty steel flue.

When a flue lining is fitted (to stainless steel or pumice chimney systems) it should be supported independently to the appliance, i.e. with clips, brackets, flue lintels, etc. NOT simply resting on top of the appliance. It should be possible to remove the fire for major maintenance work.

CHECKING THE THERMOSTAT

Remove the thermostat knob by pulling off, lift the side panel up and pull to the left to replace the opposite side repeat the above exercise.

The control knob which is inside the fire for despatch is fitted on to the shaft through the hole in the left hand casing. It is however, advisable to check the cold setting of the thermostat before installing and running the appliance. This is best

seen from inside the appliance with the grate, fuel retainer bars, ash pan, etc., removed.

With the control set at minimum the damper should be just touching the side of the ash pit chamber all round the air inlet grill.

With the control set at maximum (8) and the damper plate parallel with the arm, there should be a gap of approximately 23mm between the body and the edge of the damper plate furthest from the control shaft.

If the cold setting does require adjustment it will be necessary to remove the front trim to give access to the thermostat. To do this first remove the control knob from the thermostat shaft, then slacken the screws, which fix the casing to the unit front (a screwdriver can be inserted through the slots on the radius corner of the casing): the back of the casing laps over the flange of the unit front. Lift the casing and pull forward to remove. Adjust the setting by slackening off the lock-nut.

Replace the casing on the unit front and refit the control knob on to the thermostat shaft.

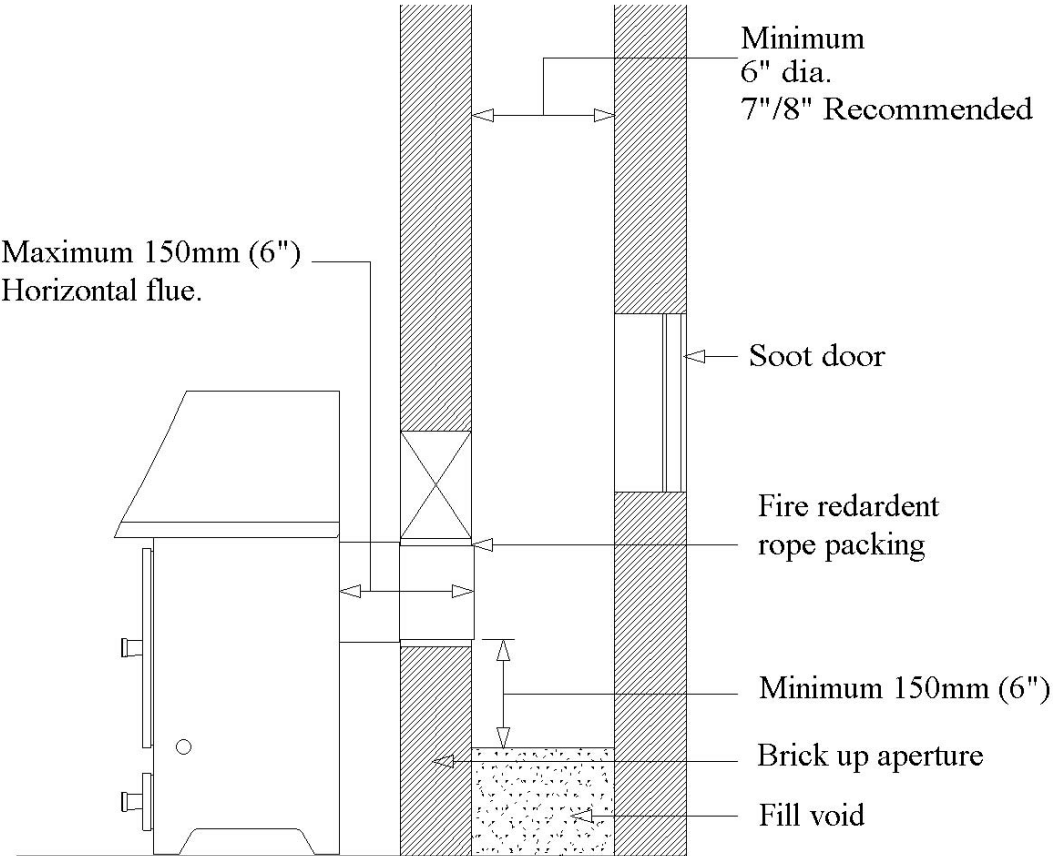
INSTALLATION

Fill the space around the appliance level with the top unit with Vermiculite cement (6 parts Vermiculite granules to 1 part Portland cement). The flue socket in the appliance is designed to receive 5" or 6" nominal cast iron or heavy duty steel pipe connector which should be caulked with asbestos rope and fire cement.

The length of the connector pipe will be dependent on the distance between the top of the appliance and the bottom of the chimney but should be at least 300mm (12").

Fill the remaining space around the connector with the Vermiculite cement to a level where the pipe is effectively sealed in the chimney flue, ensuring that the flue gases can only be discharged into the flue way. Reinstall brickwork to chimney breast and make good. Remember to make provision for access to boiler connections for routine observation/maintenance.

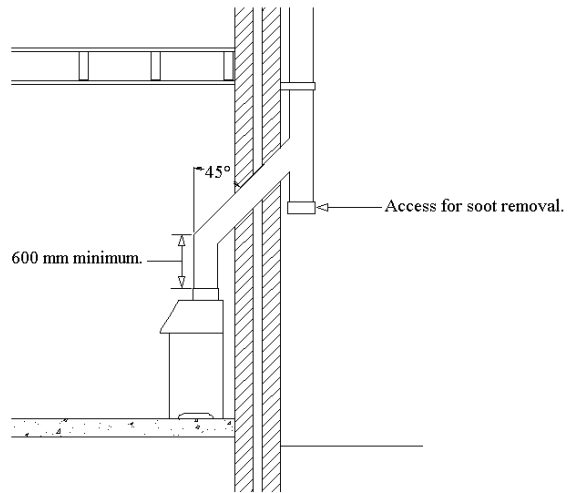
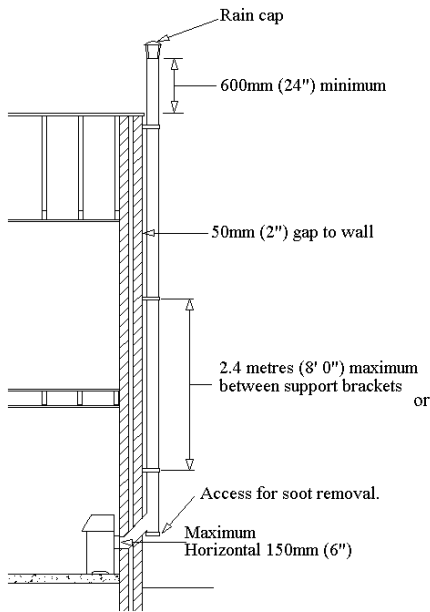
Replace parts previously removed and check unit thoroughly.



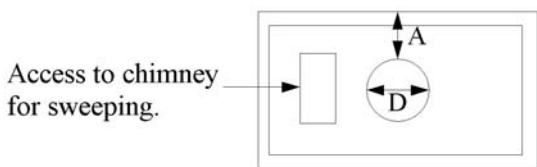
REAR FLUE OUTLET

INSTALLATION

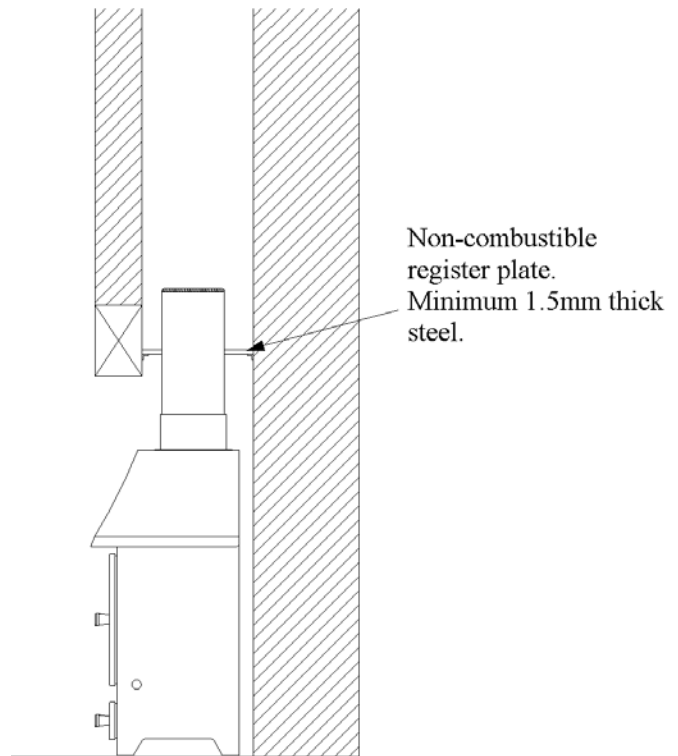
TYPICAL METAL INSULATED CHIMNEY SYSTEM.
 TO BE INSTALLED WITH THE CHIMNEY MANUFACTURERS INSTRUCTION.
 BUILD REF. BS7566 P11-4



PLAN VIEW OF REGISTER PLATE AND CLEARANCES FOR NON INSULATED FLUES

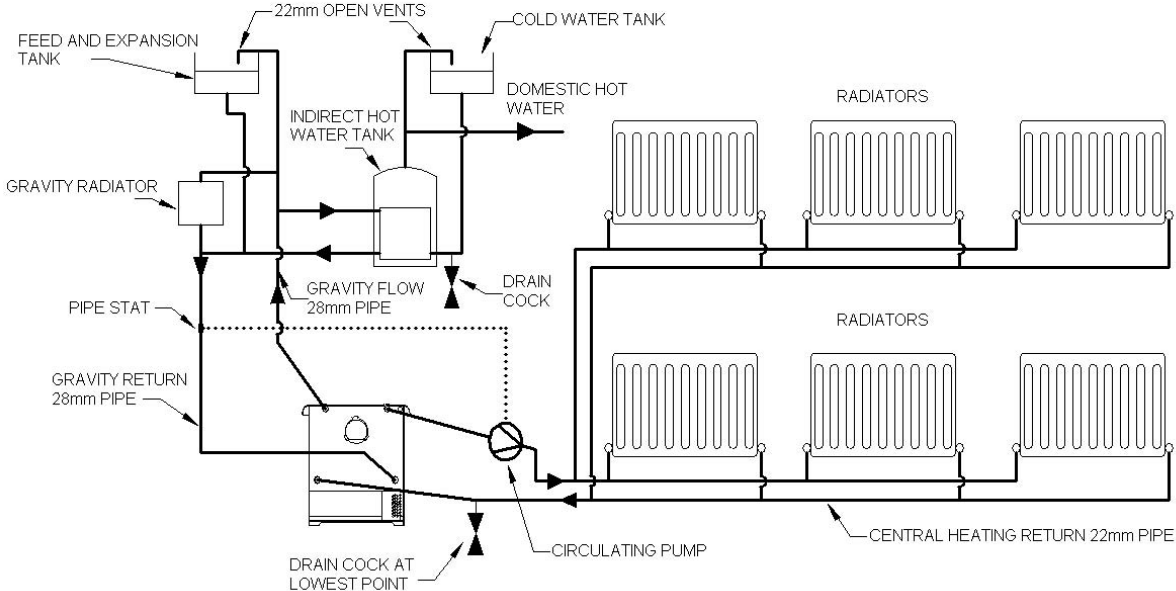


A is minimum clearance for non-insulated flue =
 1.5 x D to a non-combustible surface/material
 or
 3 x D to combustible surface/material

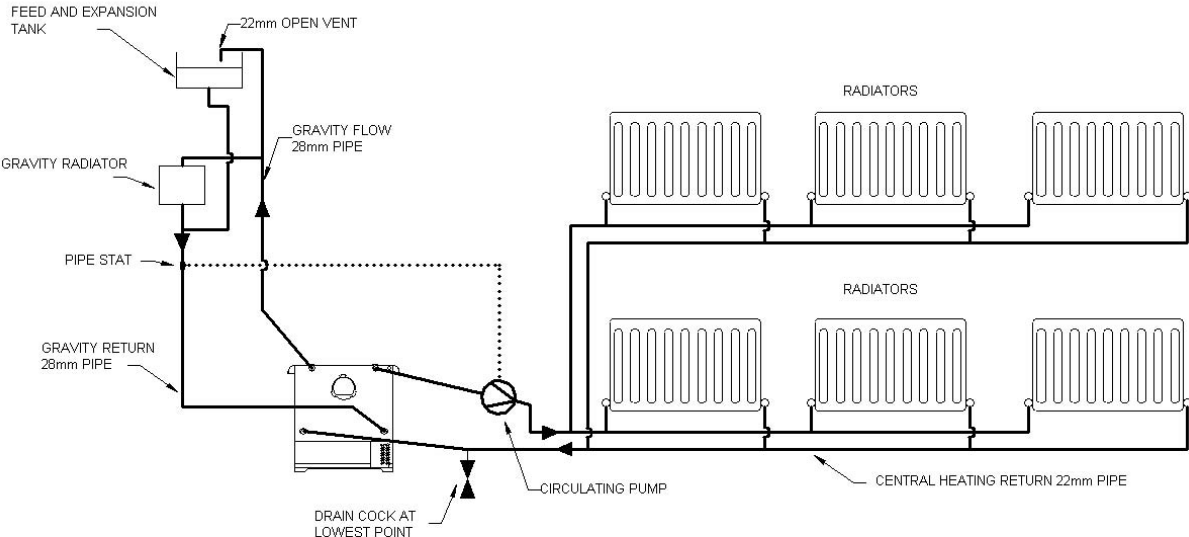


TOP FLUE OUTLET

Central Heating and Domestic Hot Water System Using Four Boiler Tappings



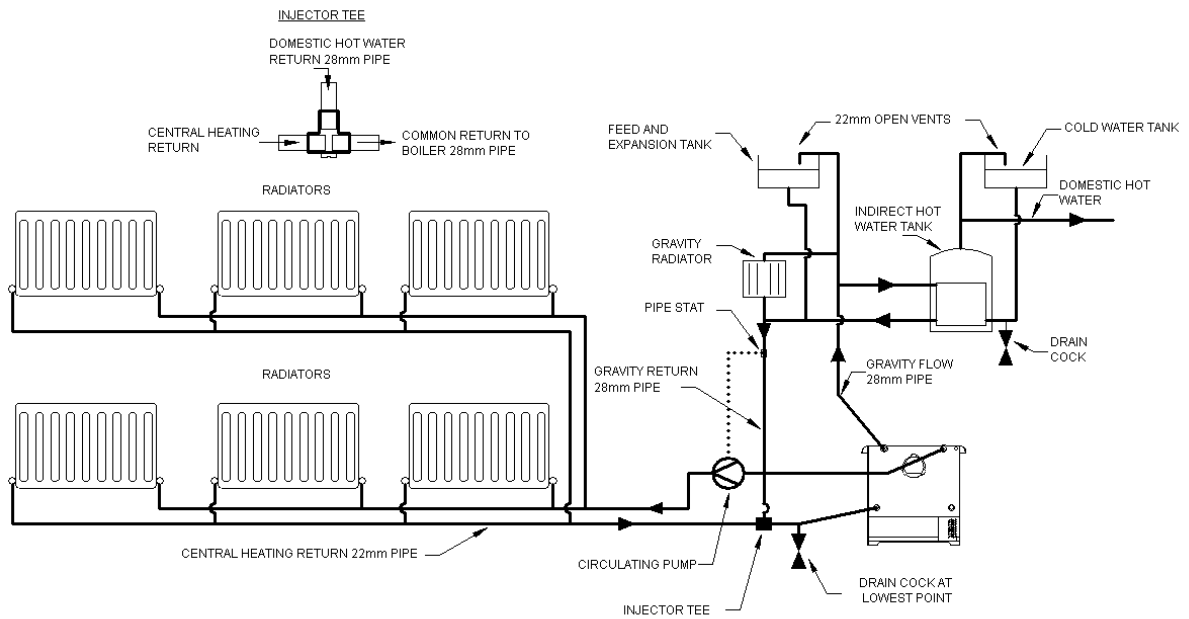
Central Heating System Without Domestic Hot Water Using Four Boiler Tappings



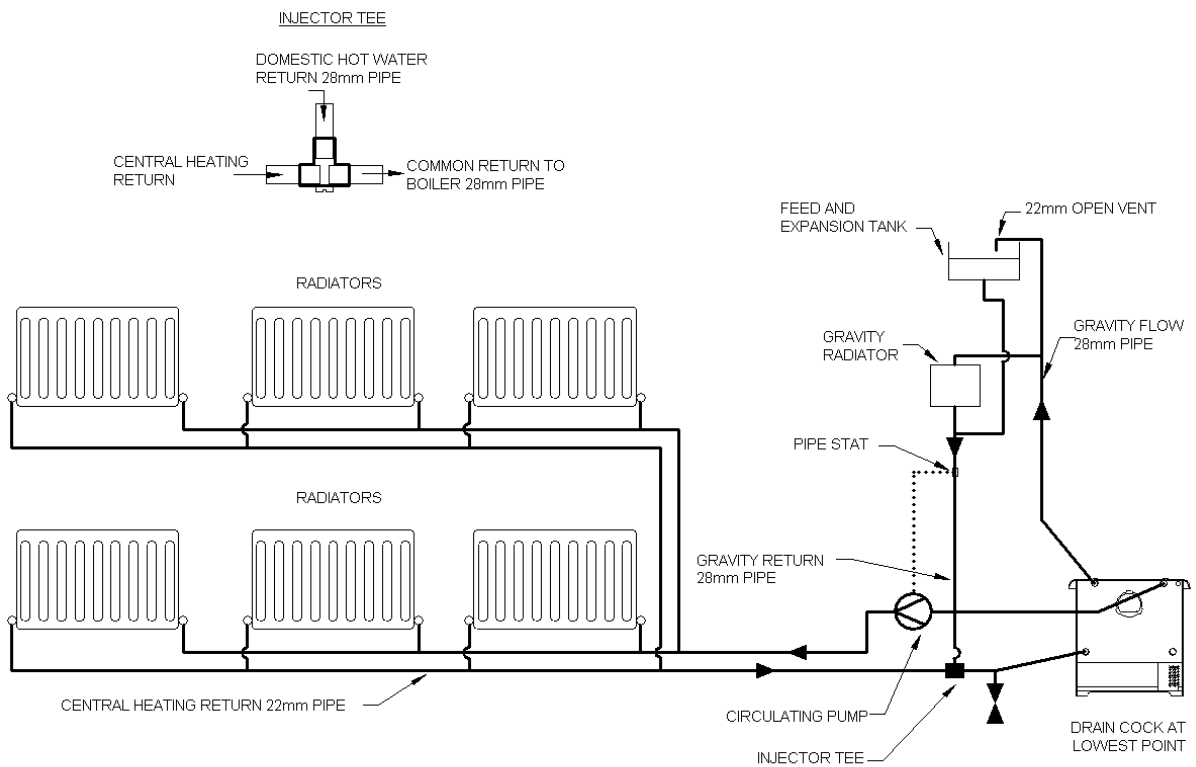
Note: Diagrammatic representation only. Design and calculations for individual systems should always be carried out by a qualified heating engineer.

INSTALLATION

Central Heating and Domestic Hot Water System Using Three Boiler Tappings



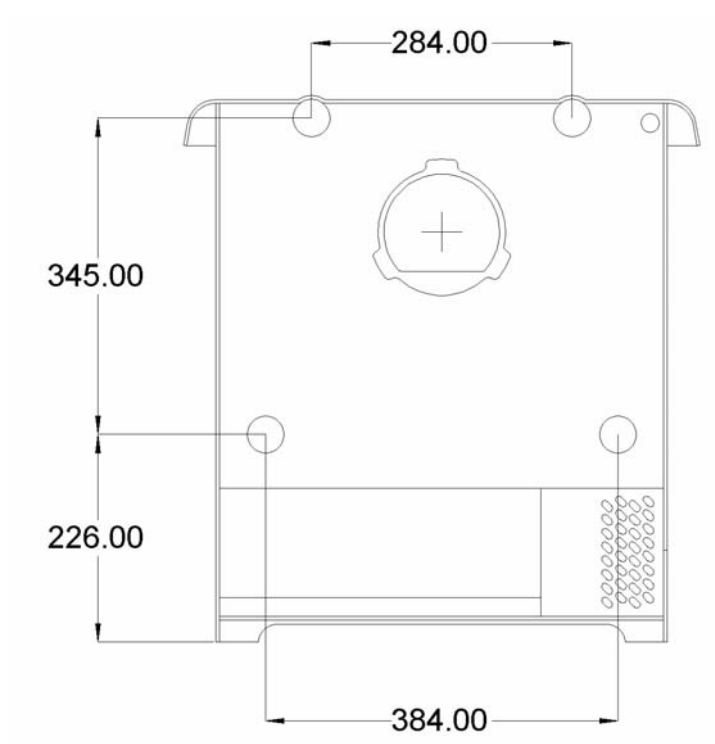
Central Heating System Without Domestic Hot Water Using Three Tappings



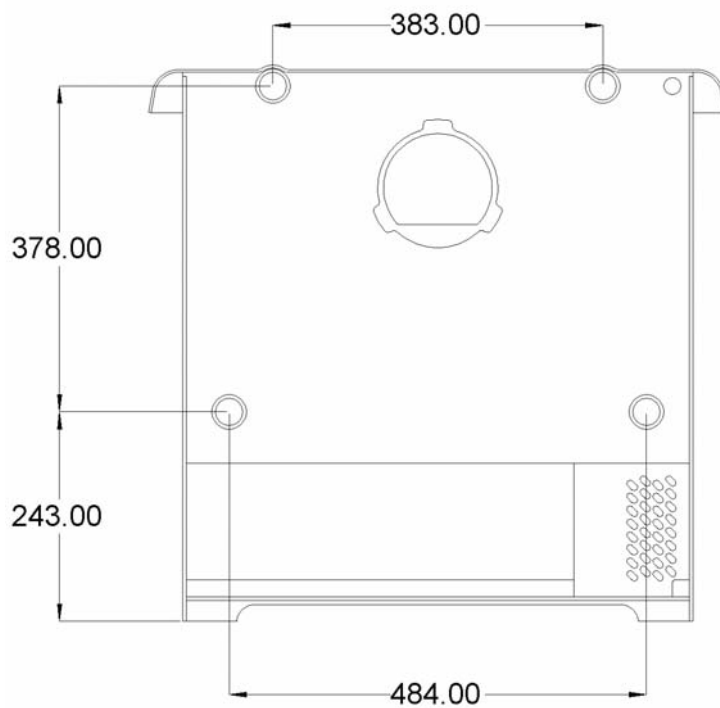
Note: Diagrammatic representation only. Design and calculations for individual systems should always be carried out by a qualified heating engineer.

BOILER TAPPING POSITIONS

Stratford Tf30 Boiler Tapping Positions



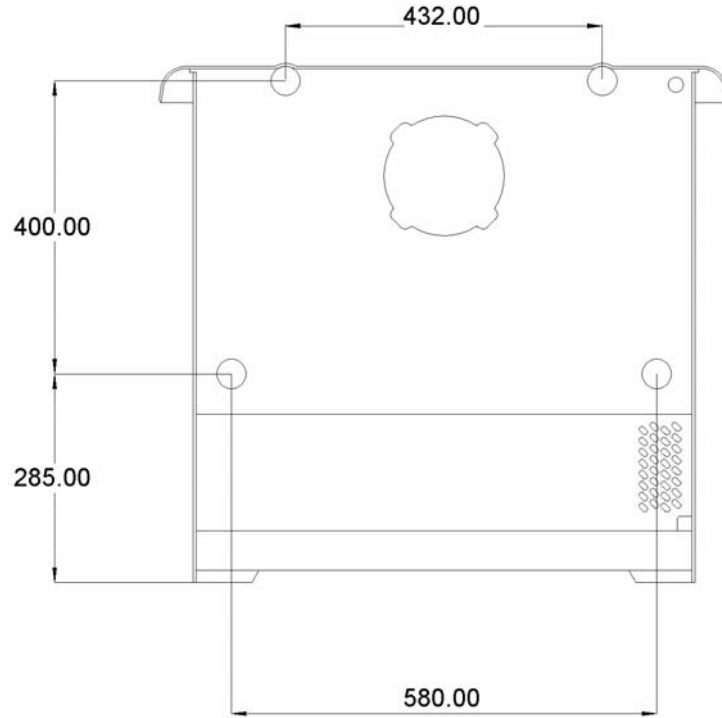
Stratford Tf50 Boiler Tapping Positions



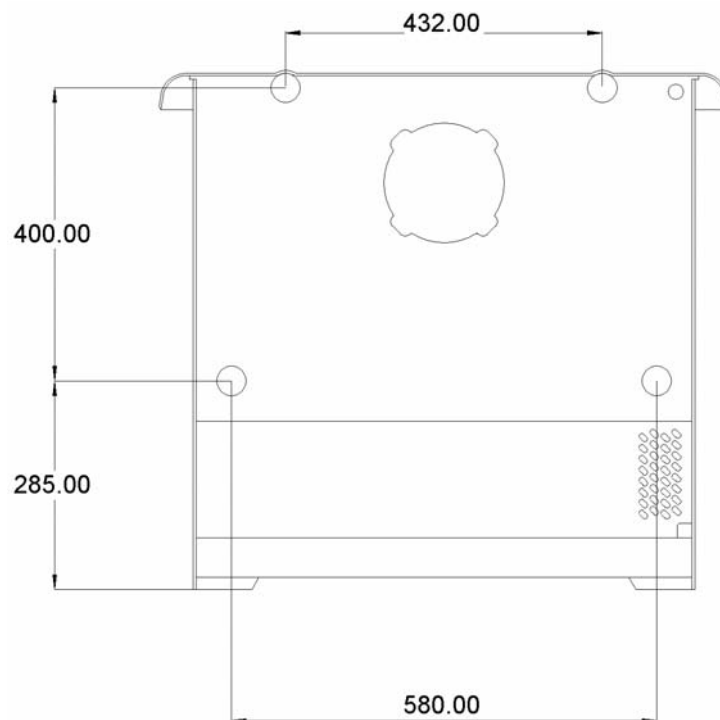
All dimensions in mm

BOILER TAPPING POSITIONS

Stratford Tf70 Boiler Tappings Positions

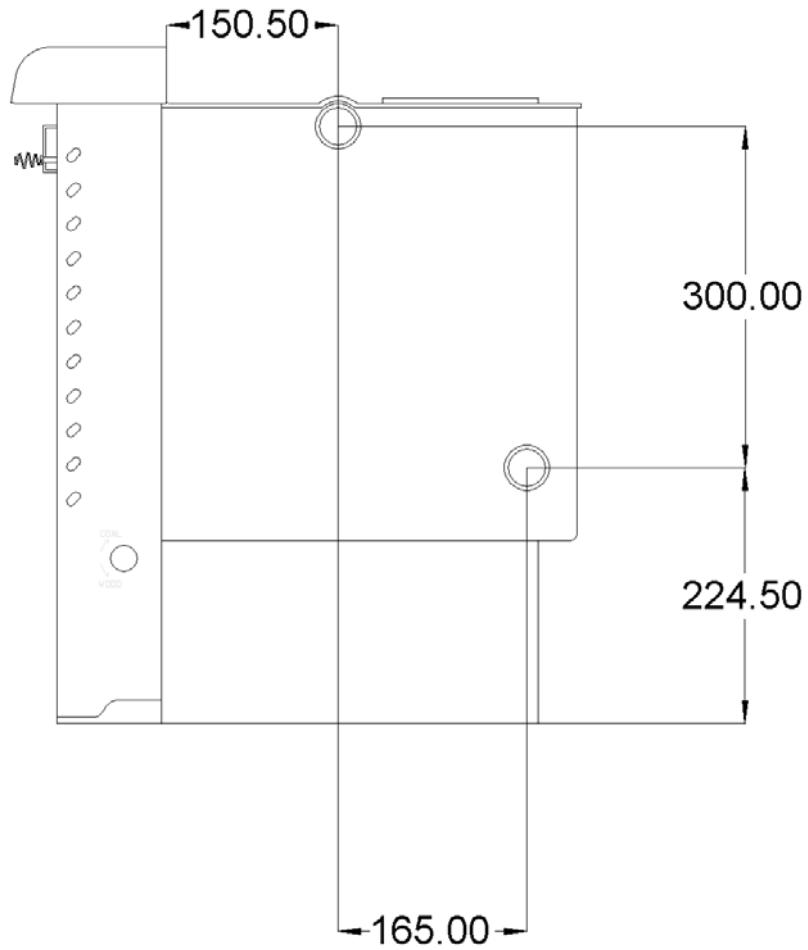


Stratford Tf90 Boiler Tappings Positions



All dimensions in mm

Stratford Ti 40 Inset Boiler Tapping Positions



All dimensions in mm

INSTALLATION

WATER CONNECTIONS

Heating systems

The size of the heating system which can be run, will depend on the output rating of the appliance. It will be necessary to work out heat loss calculations for the system proposed in order to establish the kW/hr rating. An appliance that will meet this figure can then be chosen; (for boiler outputs please refer to the brochure).

The constructional requirements of installing and connecting the appliance also need to be taken into account when selecting. Design and calculations for individual heating systems should be carried out by a qualified heating engineer. In many cases your supplier will be able to offer advice and assistance.

Direct Systems

Stainless steel boilers, either factory fitted or retro-fitted as add-in boilers enable connection to direct systems to be made without the need to change the cylinder or to fit an expansion tank. This applies to domestic water supply only **and should not be done when in an area with soft water.**

If radiators are used then an indirect system must be utilised.

To connect the cylinder use 28mm copper pipes. Ensure that the pipes rise continuously to the cylinder.

Ensure that the runs are not too long, i.e. 20ft maximum each for flow and return. Install the cylinder above the level of the fire, and as close to it as possible. (the higher the cylinder the faster the circulation). Ensure that no valves are present in the circulating pipes.

Indirect Systems - The Domestic Hot Water Circuit

In addition to providing hot water the primary circuit is essential in providing a "heat leak" to absorb excessive heat produced in the event of the circulation pump shutting down.

Heat is produced in varying quantities while the fire is alight and care must be taken to ensure that

effective circulation can occur around the primary circuit to carry heat away and thus stop boiling.

The output of any radiator installed as a "heat leak" should not be less than 10% of the rated output of the appliance. The radiator should **not** be fitted with a control valve.

The cylinder must be of the indirect type with a minimum capacity of 110 litres, conforming to BS 1566 part 1.

Primary flow and return pipes should be 28mm diameter. The cylinder should be installed at a higher level than the appliance, and as close to it as possible (the higher the cylinder the faster the circulation). The flow and return pipes should not be longer than 20ft each. Pipe runs should rise continually from the boiler to the cylinder.

A radiator of approximately 25 sq.ft. should be connected into the primary circuit, if installed in the bathroom it provides a means of drying towels in the summer.

Safety Vent Circuit

This circuit consists of a cold feed pipe, expansion pipe, and expansion tank. The possibility that water may boil can never be completely ruled out, and it is therefore vital to ensure that cold water can be supplied to the boiler and steam vented from it at all times.

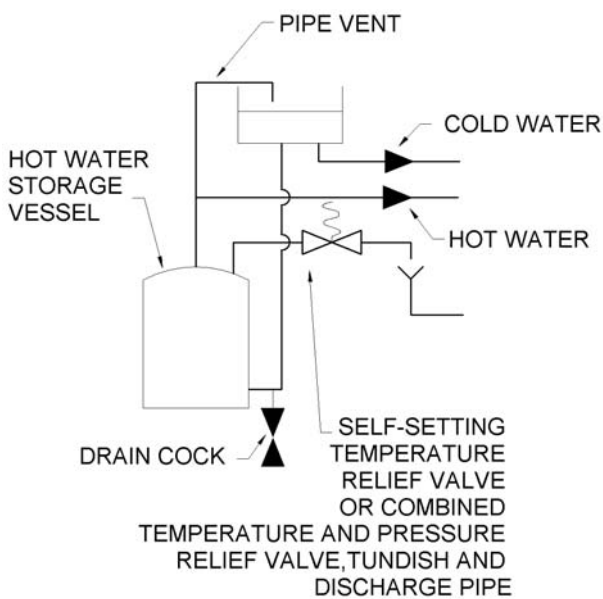
The expansion tank should have a capacity of at least 7 % of the system's water capacity. The cold water feed pipe should be at least 22mm diameter.

There must not be any shut off valves in the circuit. Pipes should be run to avoid air locks. A safety relief valve should be fitted to the expansion pipe close to the boiler.

It is often possible, and is good practice, to utilise the primary flow and return as part of the safety circuit. The ball valve should have a copper ball. The overflow pipe from the expansion tank should be 28mm diameter copper. Pipes in unheated spaces must be lagged.

Temperature and Pressure Relief Valve

With solid fuel appliances it is not practicable to provide a sufficiently rapid reaction for shutting down fuel in the event of a sudden rise in water temperature and a temperature relief valve or preferably, a combined temperature and pressure relief valve should be installed to operate in the event of high water temperatures occurring. See diagram below.



HOT WATER SYSTEMS

Before handing over the installation to the customer it is strongly recommended that the appliance is lit and the functioning of the chimney, hot water and heating system is checked.

A checklist (Pre-lighting Checks) appears in the Operating Instructions, but in addition to this the installer should:

- Operate the heating system and set the pump head.
- Balance the radiators.
- Re-vent and ensure no air locks.

- Check the circulation round the primary system and the heat leak radiator, particularly when the pump is running, to ensure circulation is not reversed.
- Be sure that the chimney is operating and that ALL smoke and fumes are vented to the atmosphere through the chimney terminal.
- Check all joints and seals.
- Clean the outside of the appliance to prevent any stains becoming burnt on.
- Check the flue draught which should read 1 - 2mm, or 0.1 - 0.2mbar.

The following details **must** be checked and completed in full by the installer at the time of installation. Please answer all questions as fully as possible. **Arada Ltd** can not be held responsible for chimney or installation.

HOT WATER SYSTEMS	
Is the boiler cross-flowed?	YES / NO
Are the pipes correctly sized?	YES / NO
What is the calculated output required to heat the system?	
Is a heat leak fitted?	YES / NO
What is the return water temperature?	
Is the pump thermostatically controlled by a pipe stat?	YES / NO
What is the height and distance of the hot water tank above the stove?	

CHECK LIST








CHECKLIST

Hearths, Fireplaces, Flues and chimneys








This checklist is to ensure hearths, fireplaces, flues and chimneys are satisfactory, and to show what you have done to comply with the requirements of The Building Regulations 2000 Approved Document J 2002.

1. Building address, where work has been carried out.....	
2. Identification of hearth, fireplace chimney or flue	
3. Firing capability: solid fuel/gas/.	
4. Intended type of appliance. State model and output.	
5. Ventilation provisions for the appliance: State type and area of permanently open vents.	
6. Chimney or flue construction a) State the type or make and whether new or existing. b) internal flue size (and equivalent height, where calculated - natural draught gas appliances only). c) If clay or concrete flue liners used confirm that they are correctly jointed with socket end uppermost and state jointing materials used. d) If an existing chimney has been refurbished with a new liner, type or make of liner fitted. e) Details of flue outlet terminal and diagram reference. Outlet Details: Complies with: f) Number and angle of bends. g) Provision for cleaning and recommended frequency.	
7. Hearth. Form of construction. New or existing?	
8. Inspection and testing after completion Tests carried out by: Tests and results Flue inspection visual sweeping coring ball smoke Appliance (where included) spillage	
I/we the undersigned confirm that the above details are correct. In my opinion, these works comply with the relevant requirements in Part J of Schedule 1 to the Building regulations.	
Print name and title.....Profession.....	
Capacity.....Telephone.....	
Address.....Postcode.....	
Signed.....Date.....	
Registered membership of...(e.g. CORGI, OFTEC, HETAS, NACE, NACS).....	










PARTS LIST

Part Description	Visual Aid (not to scale)	Tf 30b Part No.	Tf 50b Part No.	Tf 70b Part No.	Tf 90b Part No.	Ti 40b Part No.
1. Fuel Retainers		AFS152	AFS153	AFS153	AFS153	AFS152
2. Throat Plate		AFS030A	AFS031	AFS034	AFS035	AFS032
3. Grate Bar Set		AFS001	AFS001	AFS002	AFS003	AFS003
4. Hot Plate		AFS010	AFS010	AFS012	AFS012	N/A
5. Operating Tool		AFS008	AFS008	AFS008	AFS008	AFS008
6. Ashpan		AFS050	AFS050	AFS052A	AFS116	AFS054
7. Flue Spigot		AFS009	AFS009	AFS011	AFS011	N/A

PARTS LIST

Part Description	Visual Aid (not to scale)	Tf 30b Part No.	Tf 50b Part No.	Tf 70b Part No.	Tf 90b Part No.	Ti 40b Part No.
8. Airwash		AFS1077	AFS1077	AFS1077	AFS1077	AFS1077
9. Glass Replacement Kit Complete with Gasket		AFS088	AFS090	AFS090	AFS090	AFS088
10. Glass Clips & Gasket		AFS089	AFS091	AFS091	AFS091	AFS089
11. Hinge kit Comprises 2 Hinges & 4 Fixings Per Set.		AFS047	AFS047	AFS047	AFS047	AFS047
12. Fire Door Rope Kit Complete with Door Rope Glue.		AFS048	AFS048	AFS048	AFS048	AFS048
13. Main Door Assembly Complete with Handle,Glass, Gaskets,Clips and Seal.		AFS200	AFS201	AFS201	AFS201	AFS200
14. Decorative Door Surround		AFS095	AFS096	AFS096	AFS096	AFS095

PARTS LIST

Part Description	Visual Aid (not to scale)	Tf 30b Part No.	Tf 50b Part No.	Tf 70b Part No.	Tf 90b Part No.	Ti 40b Part No.
15. Fire Door Locking Assembly		AFS204	AFS204	AFS204	AFS204	AFS204
16. Thermostat Assembly, Includes Damper, Fixing & Control Knob		AFS020	AFS020	AFS020	AFS020	AFS023
17. Thermostat Control Knob		AFS022	AFS022	AFS022	AFS022	AFS022
18. Thermostat Damper Plate		AFS021	AFS021	AFS021	AFS021	AFS021
19. Fire Bed Surround		AFS007	AFS007	AFS007	AFS007	AFS007
20. Comb replacement with extension shaft		AFS168A	AFS170A	AFS0172A	AFS172A	AFS062
21. Spare side trims for Ti40		N/A	N/A	N/A	N/A	AFS1147
22. Replacement slot in grate bar rear landing		AFS075A	AFS077A	AFS082A	AFS082A	AFS079
23. Replacement Interlock		AFS015A	AFS015A	AFS015A	AFS015A	AFS015A

GUARANTEE

Guarantee

Once again we would like to thank you for buying a Stratford multifuel boiler stove.

When you buy an **Stratford stove**, you are not only buying a first class appliance - you are buying a commitment from us to look after you and your appliance for as long as you want.

Your Stratford stove carries a decreasing guarantee against manufacturing defects for a period of three years from date of purchase providing the registration card has been completed and returned to Arada, otherwise only a one year guarantee will apply. The three years guarantee applies to the main body of the fire, i.e. the steel carcass and items fixed immovably thereto.

The external paint finish and thermostat carry a one year guarantee.

Arada Ltd., cannot guarantee items which are susceptible to breakage or damage through careless handling, dropping, etc., or through misuse of the appliance by over firing, burning petroleum coke, etc. Nor can the guarantee extend to deterioration of parts through fair wear and tear. Firebox linings, grate bars, fuel retainer bars, baffle, gasketing materials and door glass are therefore not covered by the guarantee.

The guarantee is conditional upon the appliance being serviced and checked annually by a qualified heating engineer, with documentation to be retained and to be produced in the event of a claim being made.

Claims are not valid where the installation does not conform to appropriate Building Regulations.

Parts will be repaired or replaced at the discretion of **Arada Ltd.** The price of replacement shall be shared by the manufacturer and purchaser as follows:

- During the first year of purchase the manufacturer will pay 100% of the cost of parts only.
- During the second year the manufacturer will pay two thirds of the cost and the purchaser one third.

- During the third year the manufacturer will pay one third of the cost and the purchaser two-thirds.

USE OF SPARE PARTS OTHER THAN THOSE SUPPLIED BY Arada LTD WILL INVALIDATE THE APPLIANCE GUARANTEE.

If your appliance proves to be defective as a result of faulty materials or workmanship during guarantee, we will repair or replace it FREE OF CHARGE as long as the fire has been installed according to the manuals instruction and the Final Installation Check List on p29 has been completed and signed by a suitably qualified engineer at the time of installation.

All Guarantee periods commence on the date of purchase and are non-transferable.

Our Guarantee is offered as an addition to your statutory rights.

If you think your fire is not working correctly or in the event of a breakdown, **please call your local dealer.**

When you contact them, they will want to know:

1. Your Name, Address/Post Code and Telephone Number
2. Serial Number
3. Clear and concise details of the fault

CUSTOMER REGISTRATION

See card enclosed

To guarantee the very best in after-sales service, do not forget to complete and return your Customer Registration Card within 14 days (a stamp is required).

Just complete the form and return it to us to:

1. Benefit from our *Guarantee*.
2. Register your appliance for a full year's Parts Guarantee.

Please contact us direct 01308 427234 if no Customer Registration Card is included.

FINAL FACTORY CHECK LIST

Model.....
Serial No.....

QUALITY	
FINISH	
PARTS	
FLUE OUTLET	
HOT PLATE	
FUEL RETAINERS	
GRATE BARS	
FIRE BED SURROUNDS	
THROAT PLATE	
AIR WASH	
DOOR CATCHES	
INTERLOCK	
ASH PAN	
OPERATING TOOL	
THERMOSTAT	
OPERATING INSTRUCTIONS	

*I've checked it
and it's O.K.*

Assembled by.....

Checked by

Please ensure the enclosed registration card is completed and returned to Arada and the following information completed for your own information.

Date of Purchase.....

Name and Address of Supplier.....

.....

.....

****Please ensure installer completes BOILER CHECK LIST on page 29 and
INSTALLATION CHECK LIST details on page 30 of this manual.***